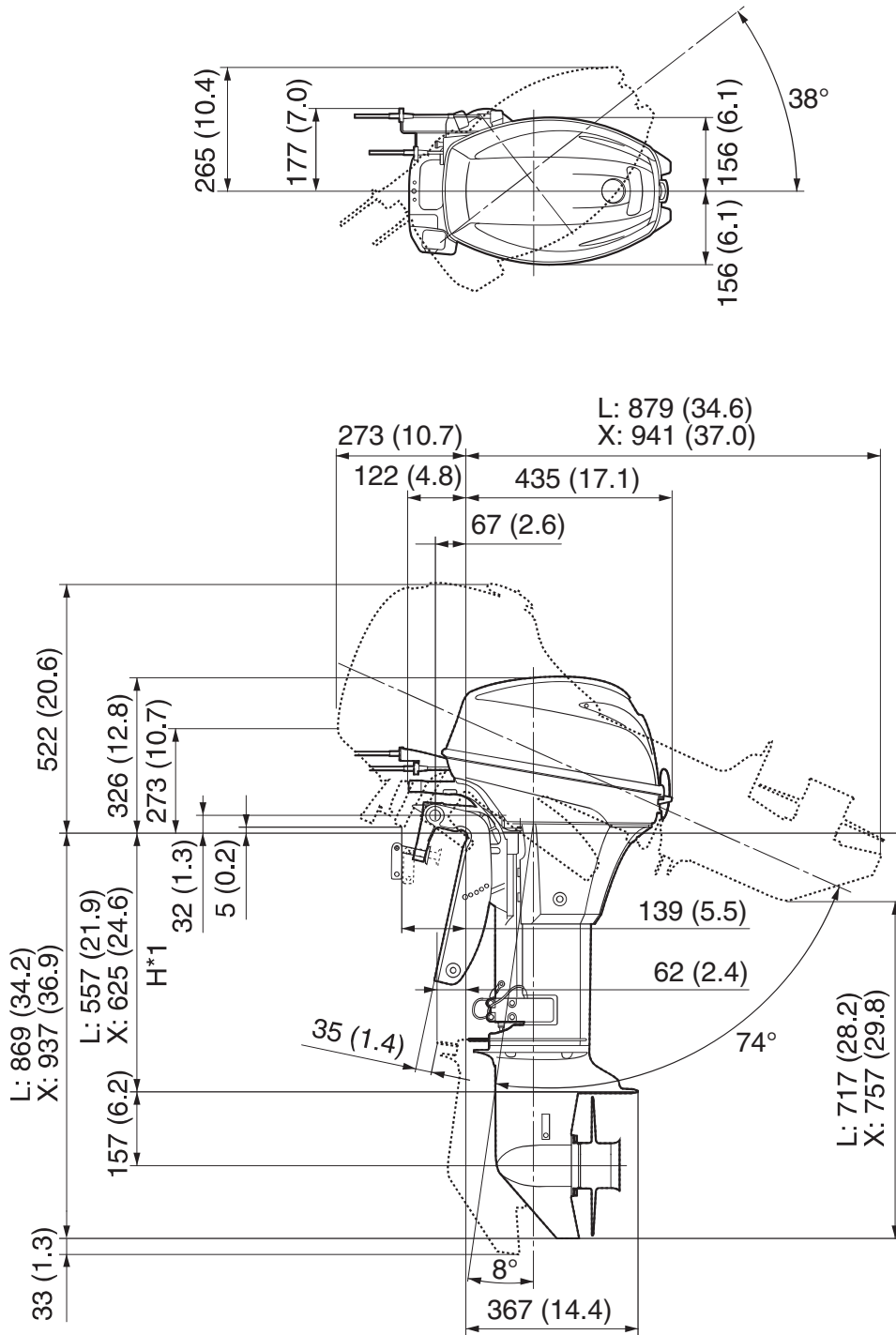


FT9.9LEP

mm (in)



\*1. Motor-Spiegelhöhe

FT9.9LEP

